

NICE ONE



SIMPLE, COMPACT  
AND FUNCTIONAL.

**miglionico**  
DENTAL EQUIPMENT



## NICE ONE

REFINED LINES AND ERGONOMIC DESIGN  
ENSURE OPTIMIZATION OF THE OPERATING SPACE  
AND MAXIMUM COMFORT FOR THE PATIENT.



### Internal production

Our highly specialized staff, through the use of the most innovative software and mechanical technologies, create the units from the design to the quality control.

We have CAD / CAM machines, laser cutting machines, press bending machines, numerical control lathes, polyurethane molding devices and welding devices.

The internal and direct management of the entire production allows us to offer excellent products while remaining very competitive and versatile.



### High quality material

The key to quality lies in the choice of excellent materials. We combine innovation and solidity to guarantee reliable and resistant products. We only use excellent materials, such as aluminum and iron for the internal structure, painted polyurethane for external surfaces, glass for the display pannels and skay leather for the upholstery.



### All at your fingertips

The ideal partner for those who love practicality. Compact and ergonomic delivery arm with integrated handles and the possibility to accommodate up to 5 instruments. Extendable hoses up to 96cm and in the SPRIDO (top delivery) version it is auto balanced and without traction.

Mounted on self-balanced arms with automatic lock

Equipped with automatic instrument activation sensor

Accessorized with a removable and autoclavable silicone instrument tray mat



### Operator side

The NICE ONE operator display is equipped with capacitive touch technology on the membrane. The multi-function control panel, with its compact design, allows intuitive management of all unit functions.

- 7 Memorizing positions
- Chair movement
- Micromotor rpms and scaler power
- Micromotor inversion
- Activation and timer of hot or cold water to the glass
- Water rinse to the cuspidor
- On / off operator lamp
- Optical fiber lamp management
- Assistant call / door opener
- X-ray film viewer



### Instruments

The console can be customized according to the needs of the operator. We choose only excellent partners for our handpieces to guarantee reliability and safety. All instruments are equipped with an anti-retraction liquid system and are autoclavable. Flexible configuration up to 5 instruments. Example of "full" recommended configuration: syringe, 2 turbines, brushless micromotor, scaler\*.

\*All instruments are available as optionals.



#### INSTRUMENTS



BRUSHLESS MICROMOTOR



STAINLESS STEEL SYRINGE



F.O MIDWEST TURBINE OUTLET



SCALER



SECOND F.O MIDWEST TURBINE OUTLET



SECOND MICROMOTOR



CURING LIGHT

#### INSTRUMENT CONFIGURATION

##### STANDARD



SUCTION CANNULAS

##### OPTIONAL



STAINLESS STEEL SYRINGE



CURING LIGHT



### Assistant Side

Control panel with capacitive touch technology on membrane. Arm with wide horizontal range for easy movement in the work area. Equipped with integrated instrument supports, it houses two suction cannulas and two optional instruments.



Movement is freedom

The compact and ergonomic hydro unit rotates with the assistant's arm 50 ° to maximize operating spaces. With a convenient screw opening it contains the technological heart of the unit. The Nice One cuspidor is removable; the water dispensers are removable and autoclavable. In just a few steps all the safety and hygiene you need! The independent water supply system by separate bottle is fitted as standard on all NICE ONE versions.



STANDARD



BOTTLE FOR INDEPENDENT WATER SUPPLY



ANTI-FLUID RETRACTION SYSTEM ON THE HANDPIECES



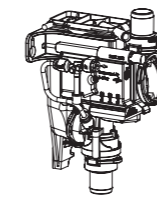
SECURE AIRFLOW SYSTEM OF THE HANDPIECES

Active hygiene system

OPTIONAL

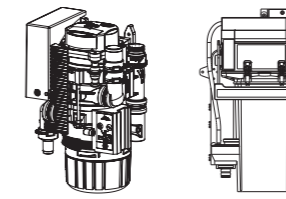
INTEGRATED SUCTION SYSTEMS

WET SUCTION



DRAIN CUSPIDOR VALVE  
To be connected to the suction motor with integrated separator.

DRY SUCTION



AMALGAM SEPARATOR AIR / WATER SEPARATOR

Adaptability to all suction systems

Standard predisposition for Wet suction system and flexibility of the unit to accommodate in built devices in case of Dry suction and to be in compliance with the European Amalgam separation regulation.



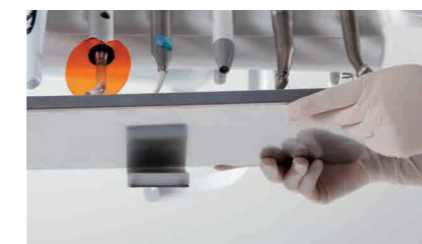
INSTRUMENT SUPPORTS IN RESIN



SILICONE MAT

Removable and autoclavable parts

The procedures for disinfection must be simple, fast and effective. Miglionico units are designed to optimize time and guarantee a constant and effective hygiene of the unit.



STAINLESS STEEL INSTRUMENT TRAY



SILICONE TRAY MAT



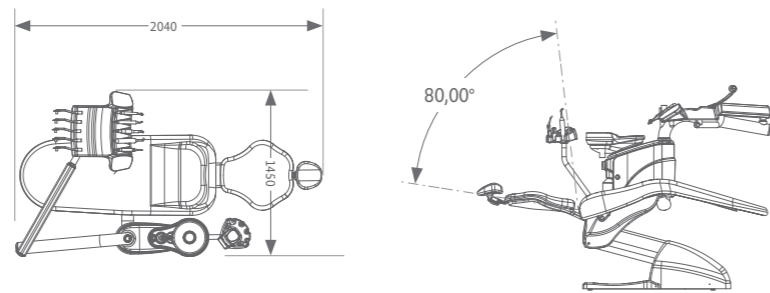
CUSPIDOR



WATER DISPENSERS IN RESIN AND STAINLESS STEEL


\* Not autoclavable





### The beauty of comfort

The chair has a wide operating range, despite the reduced dimensions. Padded with a soft comfort system and upholstered in skay seamless. Safety systems block the unit in case of potentially harmful movements both for the unit and for the patient.

 COD. 920 RENOIR	 COD. 902 GIOTTO	 COD. 904 KOSTABI	 COD. 905 GAUDI	 COD. 906 KLIMT	 COD. 919 BOTTICELLI
 COD. 909 MATISSE	 COD. 908 VAN GOGH	 COD. 950 BOTERO	 COD. 923 MODIGLIANI	 COD. 924 MIRÒ	 COD. 910 RAFFAELLO
 COD. 914 CARAVAGGIO	 COD. 922 DALÌ	 COD. 915 LEONARDO	 COD. 911 MICHELANGELO	 COD. 6001 DEGAS	 COD. 8017 MONET

Additional colors available upon request.

## ACTIO CHAIR

### The details

Our chairs have different standard solutions designed to improve the quality of your work and ensure maximum patient comfort.



#### HEADREST

Adjustable in height and adjustable on three axes, in skay leather.



#### ARMREST

The unit is equipped with the comfortable and functional rubber armrest on the left.



#### WIDE BACKREST

Ideal for those who love working in the 12:00 o'clock position.



#### SLIM BACKREST

Ideal for those who love working in the 9:00 o'clock position or standing.

### The Backrests

The basic characteristic of the chair is the possibility of choosing between two different types of backrests, both ergonomic and with lumbar support.



#### SEAT PROTECTION PILLOW

Practical and discreet, coordinated with the upholstery, it prevents wear and tear by protecting the leather of the seat.



#### CHILD REDUCTION PILLOW

Greater comfort even for the little ones. The pillow raises the seat making operation easier.

### The accessories

Protect your dental unit and make it more comfortable for pedodontic patients.



**Multi media kit**

Technology is a valid assistant. Whatever your needs in multimedia, there is a configurable solution. We can offer flexible and customized solutions for integrated multimedia systems.



**Operating Lamp**

For our lamps, a partner of excellence, choose between the halogen or LED technology, which Faro lamp best suits you



**EDI**  
Halogen



**MAIA**  
Led 35000 Lux



**ALYA/THEIA TECH**  
Led 50000 Lux

**Multi functional pedal**

A valid ally to manage your unit. Two types of pedals are available: standard and push. Both versions can be Wi-Fi (optional).



**STANDARD**



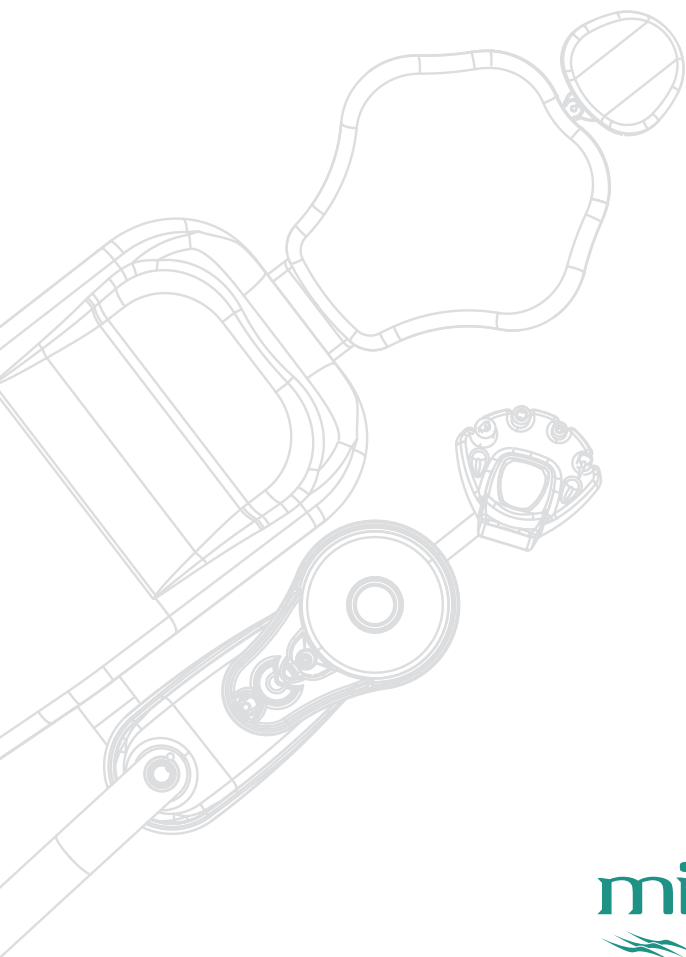
**PUSH**



**Stools**

Your comfort first and foremost. Stools with anatomic cushions without stitching and in sky leather, with height adjustment and self-braking wheels. Available in four models.





**miglionico**  
DENTAL EQUIPMENT

### AN ALL ITALIAN STORY.

We carefully select the best raw materials and transform them to create our units.

We work with passion and commitment to guarantee quality and reliability over time.



**MIGLIONICO s.r.l.**  
Acquaviva delle Fonti (BA) - Italy  
Phone (+39) 080 759552  
Info@miglionico.net

To discover our product range and all our accessories, visit our website  
[www.miglionico.eu](http://www.miglionico.eu)

