



Water Distiller

Use mineral-free water to protect your sterilizer and instruments at a fraction of the cost of bottled distilled water. It passes all safety tests, complying with all electromagnetic compatibility standard (2014/30/EU) and low voltage standard (2014/35/EU) requirements.



Steam Sterilizer

Sterilizers and accessories that help dentists and their assistants to always ensure the highest levels of safety and hygiene in their practice

Joident®

Manufacturer & After service
Ningbo JOIDENT Electronics Technology Co., Ltd.
No. 111 JinGuNan Road, Yinzhou, Ningbo 315100, P.R.China

t +86-574-8732 8073 www.joident.com
f +86-574-8732 9073 info@joident.com

According to the regulations in force, some products and/or features may have different availability and characteristics in different countries or areas. Please contact your local distributor. JOIDENT reserves the right to modify the products illustrated in the photos without prior notice. 2020/12



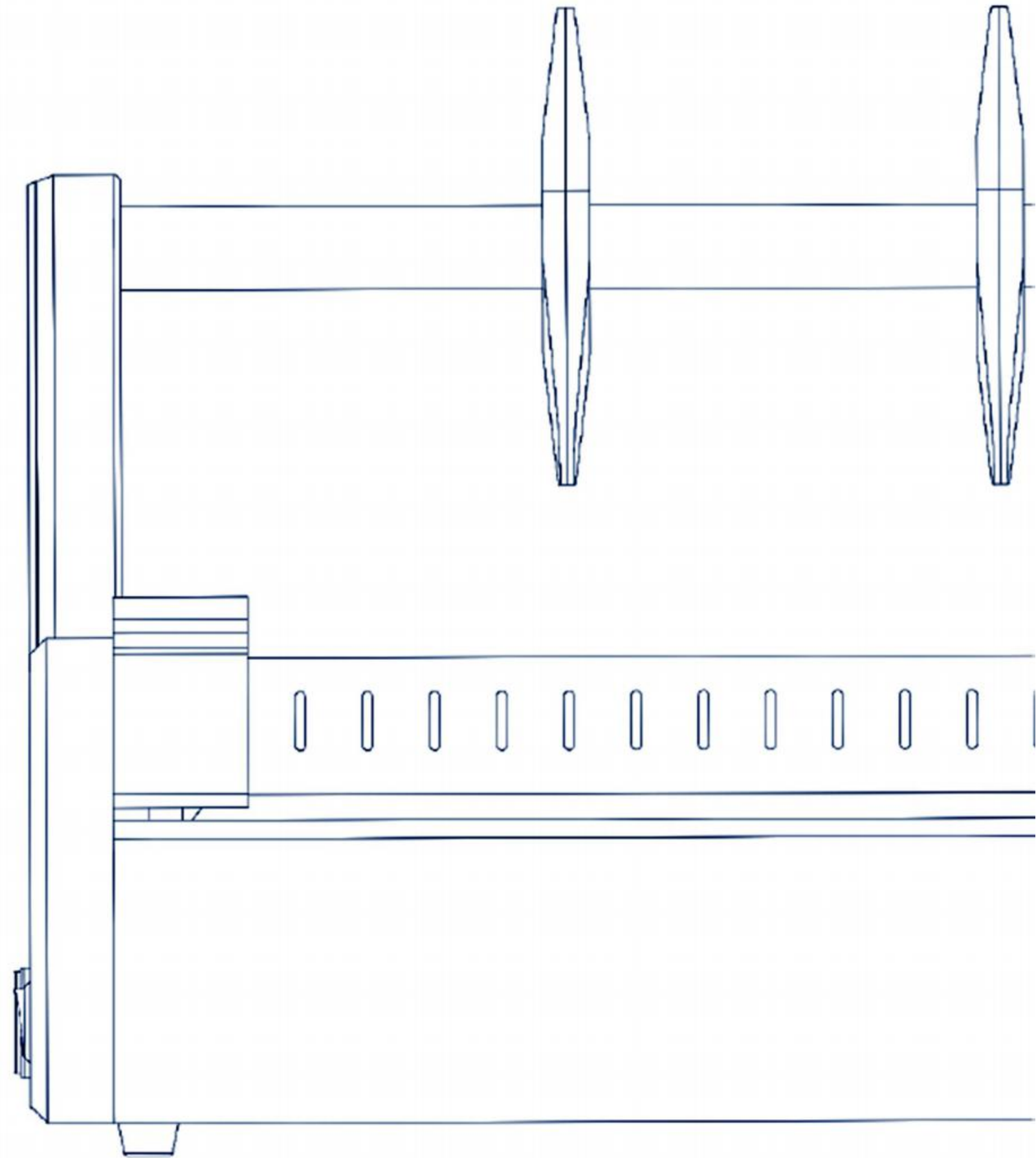
The sealing machine has no complicated operation, simple Operation, reasonable design, safe and reliable size.Moderate quality, light weight and high efficiency

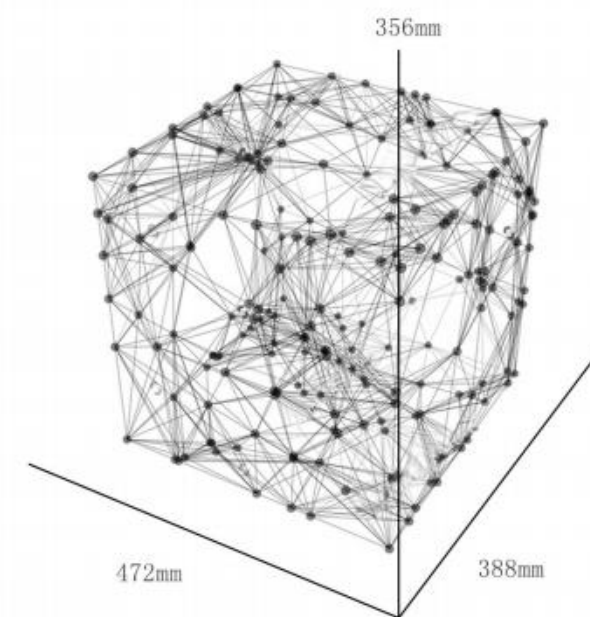
NUMBER

Sealing Machine

80+ Countries User
12 months warranty
5+ Patent technology
1800+ days Aging test

Recorded in December 2020.





MODELING

Combining the experience of modern art and minimalist shape design, it is seamless from inside to outside. Our design size can be used for any occasion, so that you can experience the charm of modern art.



Thermosealer

A perfect seal, right on seal



EASY OPERATION

ADVANTAGE



SHARP EDGE

ADVANTAGE



AUTOMATIC SIGNAL
(BEEP)

ADVANTAGE



CONSTANT
TEMPERATURE
HEATING

ADVANTAGE



STERILIZATION
BAG DEVICE

ADVANTAGE

OPERATION

LEADING EDGE



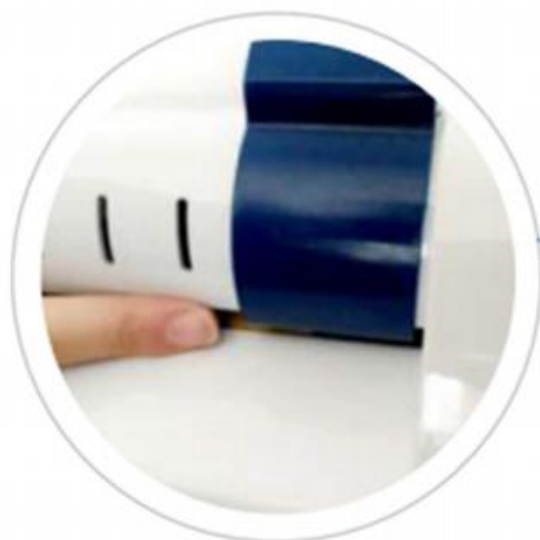
Bi-directional

Pros and cons are available, ergonomic design



Automatic Alarm

Hidden sliding blade to protect the user from injury



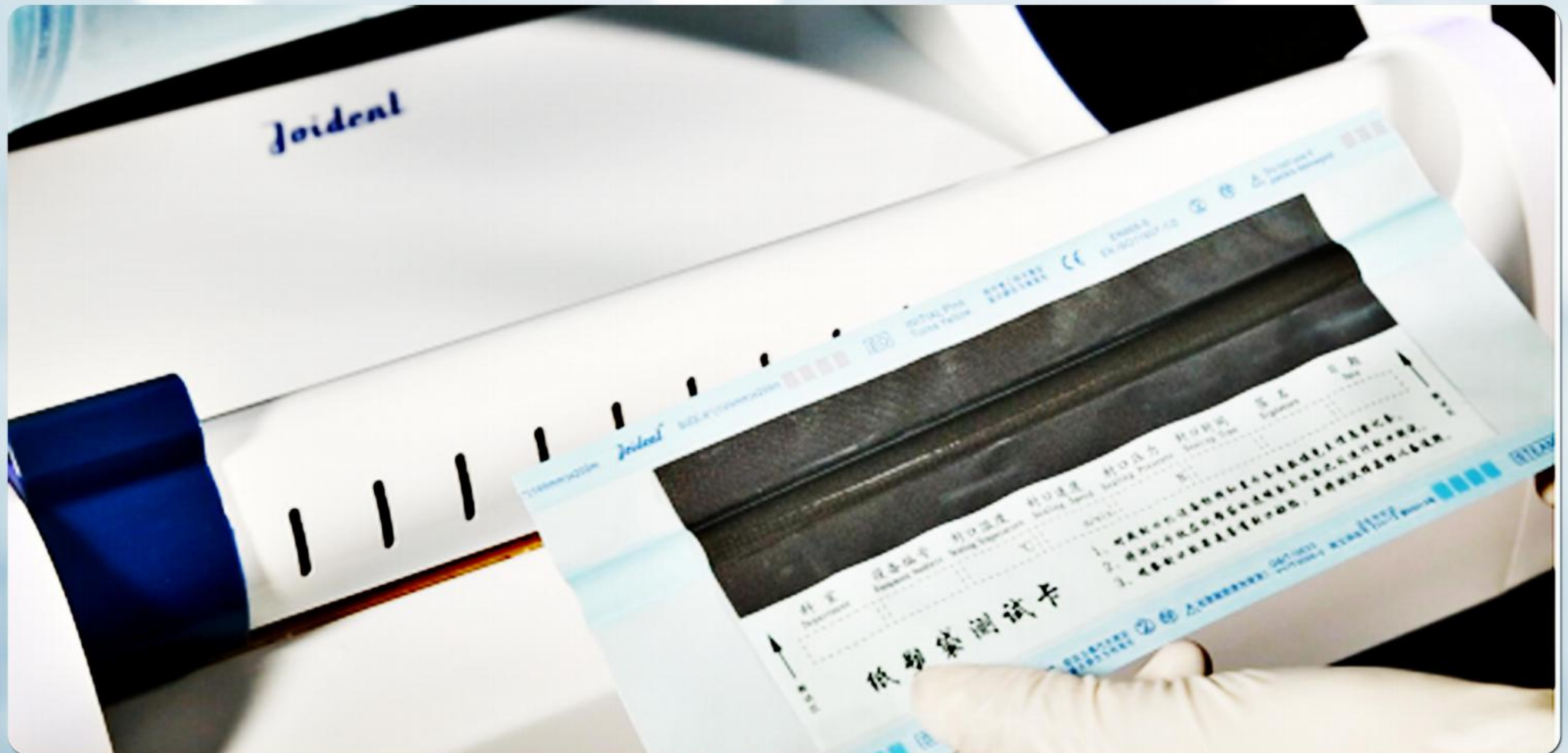
Safety slip

The sealing machine composed of a front indicator and a sound reminder

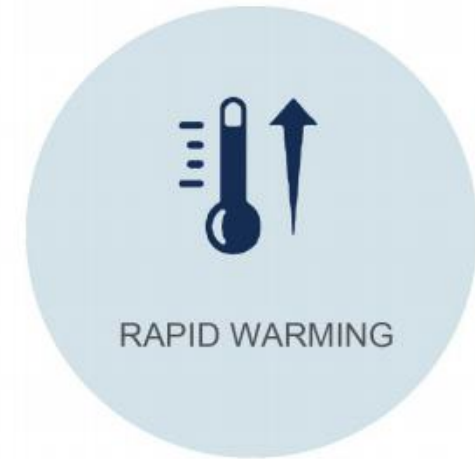


ANTI-ROLL AND ANTI-SCORCH

The sealing quality (12mm-wide sealing seams) is intact after 3 seconds of pressure test with no risk of burning



ONE PREHEATING CAN BE USED CONTINUOUSLY



RAPID WARMING

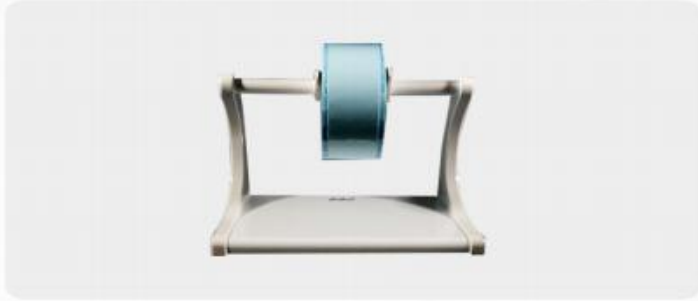


IT'S ALL IN ONE

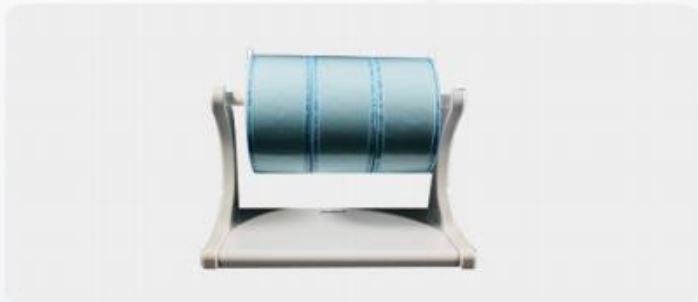


QUICK SEALING

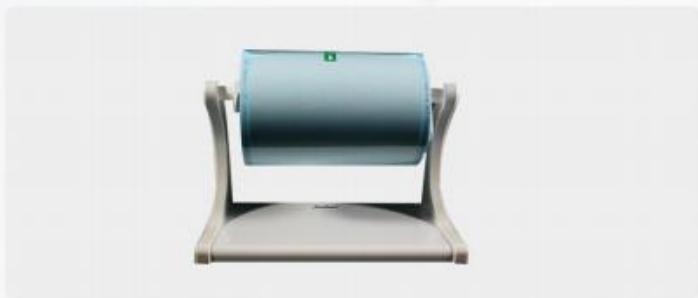
The sealing temperature and pressure can be adjusted automatically by the intelligent sealing system that the machine can still keep high performance sealing under continuous use



Flexible adjustment according
To the width of sterilization bag



large selection of
Roll width at the same time
(3 rolls), with high efficiency



The maximum bearing width
is up to 300mm



ROLL HOLDER ALL TYPES OF ROLL



Exquisite Accessories

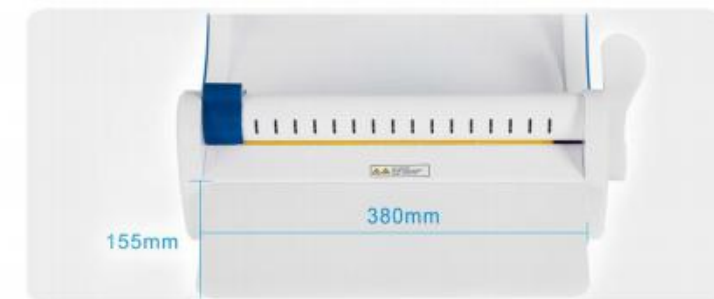


Microcomputer
Control system



Condensing system
Condensation is provided
The optional function of the system

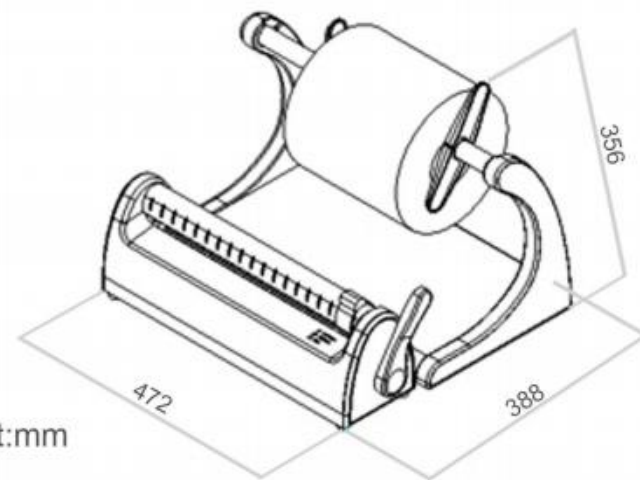
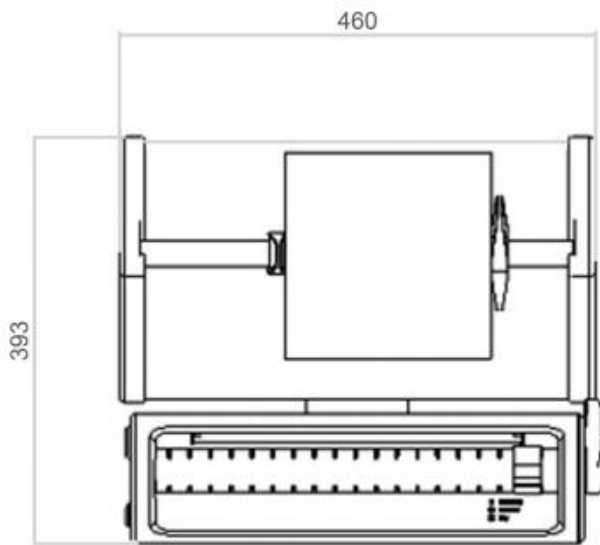
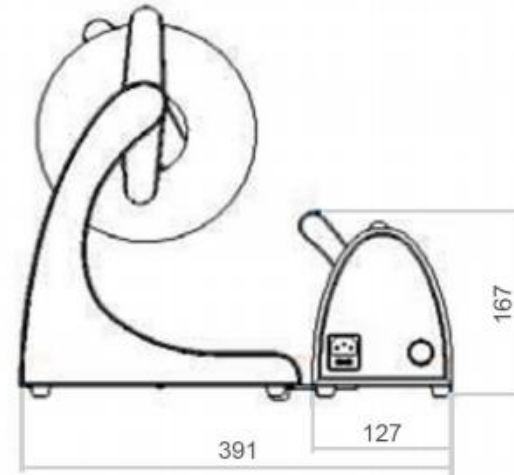
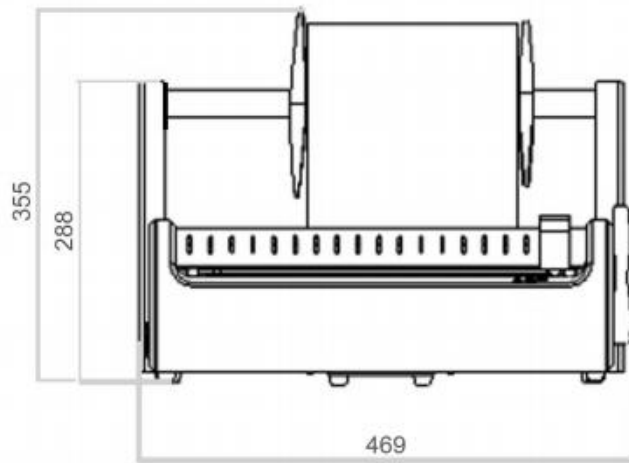
Optional



Instrument tray

Optional

Product Size



unit:mm

Technical Data

Voltage frequency:	220V ,110V/50HZ,60HZ
Consumption Power:	100W
Preheating time	2-3minutes

Packing width:	12mm
longest seal:	30cm
Overheat protection:	Yes

Packaging size:	350*350*535CM
Gross weight:	7.5KGS

Phase number	1
Water proof grade	I/IPX0
Fuse specification:	2-5x 20 T8A

Service Environment	<ul style="list-style-type: none"> · Indoor use · Altitude less than 3000m · Ambient temperature: 5 to 40 degrees · Relative humidity: 85%RH · Maximum fluctuation:+-10%
---------------------	---

Conformity

Low Voltage Directive	2014/35/EU
Electromagnetic Compatibility Directive	2014/30/EU
Machinery Safety Directive	2006/42/EC

MEDICAL STERILIZATION BAG

Sterilisation is one of the most important measures involved in rigorous dental practice hygiene. Hygofol sterilised packaging offers maximum reliability with its multi-layer laminated foil and highly tear-resistant sterilisation paper. In combination with the JOIDENT sealing machine process sealing device, this product can be used to create easily peelable 12 mm-wide sealing seams. This enables you to meet all requirements in accordance with EN ISO 11607 and EN 868.



200m/roll	Weight	Order number
5cm	1.23kg	00502
7.5cm	1.85kg	07752
10cm	2.5kg	01002
15cm	3.7kg	01502
20cm	5.3kg	02002
25cm	6.25kg	02502
30cm	7.4kg	03002