



### Sealing Machine

Ensures that sterilized instruments remain sealed after sterilization and maintain perfect sterility during their shelf-life.



### Steam Sterilizer

Sterilizers and accessories that help dentists and their assistants to always ensure the highest levels of safety and hygiene in their practice

# Joident®

Manufacturer & After sales  
Ningbo JOIDENT Electronics Technology Co., Ltd.  
No. 111 JinGuNan Road, Yinzhou, Ningbo 315100, P.R.China

t +86-574-8732 8073    www.joident.com  
f +86-574-8732 9073    info@joident.com

According to the regulations in force, some products and/or features may have different availability and characteristics in different countries or areas. Please contact your local distributor.  
JOIDENT reserves the right to modify the products illustrated in the photos without prior notice. 2020/12



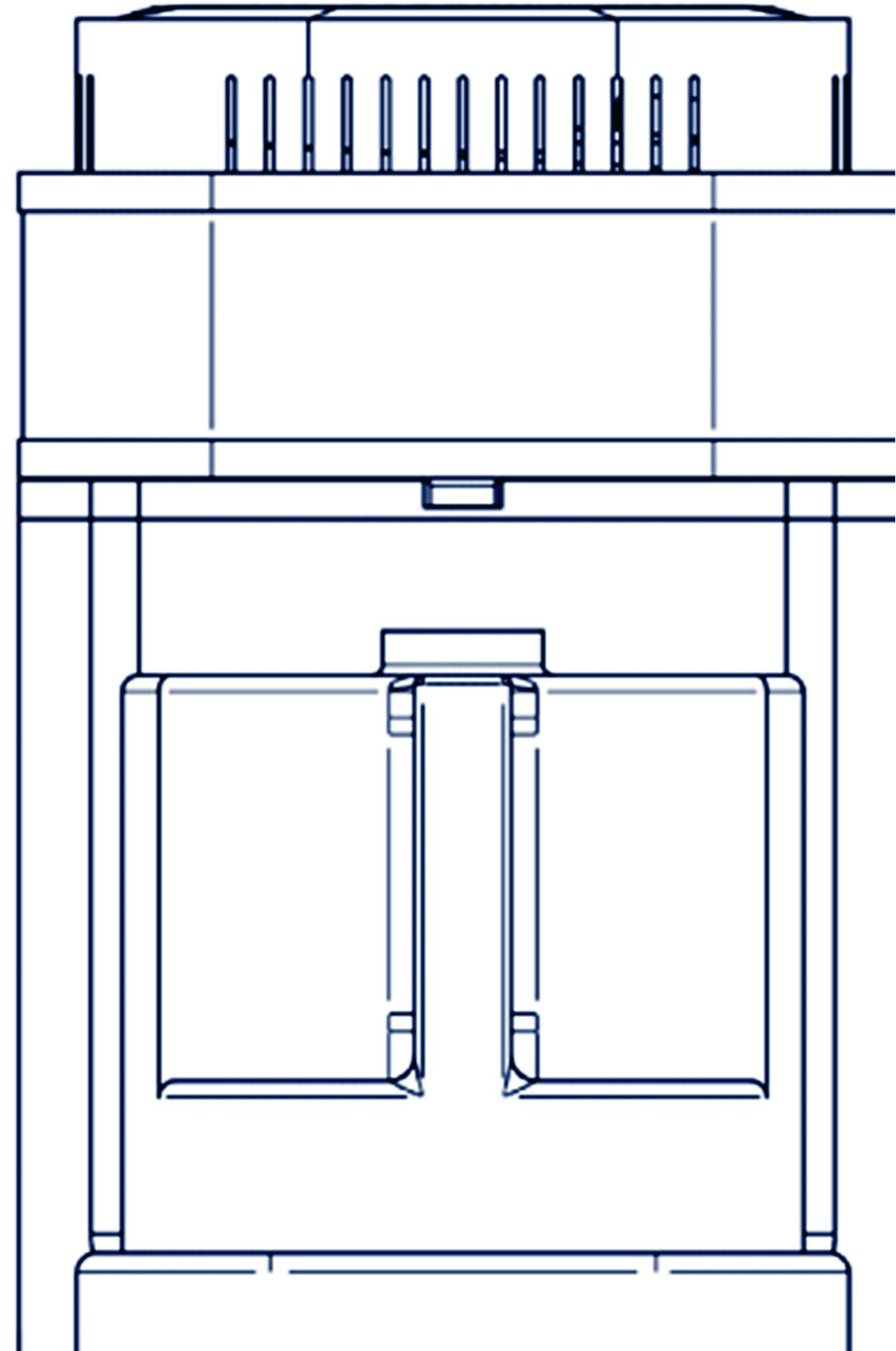
This is a very innovative water distiller that is very energy efficient, the distillation process is very quick and the water produced is at a very low temperature. The conductivity of the distilled water meets the international standard of laboratory grade I distilled water. It can be widely used at home and in beauty applications, as well as in tattooing, medical, dental, veterinary and laboratory for sterilisation purposes and instrument management solutions.

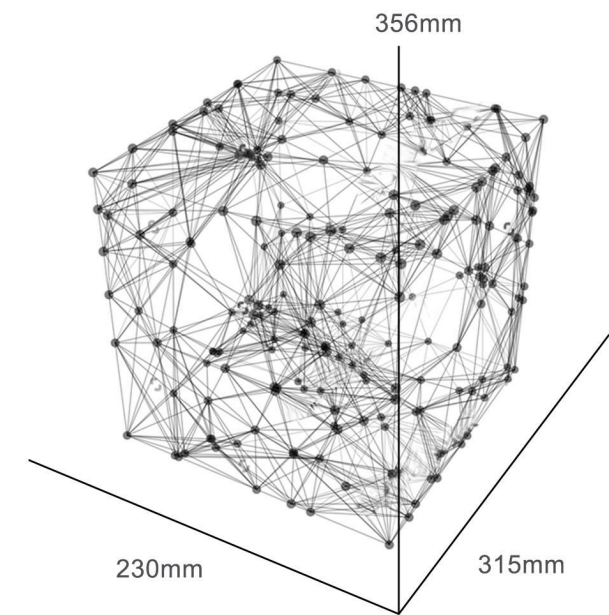
**NUMBER**

## Water Distiller

80+ Countries supplied  
12 months warranty  
8+ Patented technology  
700+ days Aging test

Recorded in December 2020.





# MODELING

Combining the experience of modern art and minimalist shape design, it is seamless from inside to outside. Our design size can be used for any location so that you can experience the charm of modern art.



**DISTILO**

DELICATE, MORE THAN LIFE



Selected materials



One button start



Super long warranty



Patented item



Multi purpose



Intelligent control



Energy efficient



Healthy water



# COMPLETE FUNCTIONS

# OPERATION METHOD INTRODUCTION



## STEP1

Unlock and open the top cover  
Pour 4L tap water into the inner tank

## STEP2

Close and lock the top cover  
Place water collection tank correctly

## STEP3

Turn on power switch  
Press one button to start  
The Production of distilled water automatically



3 Colour indicator  
For each single of introduction



High quality Medical grade 304  
Stainless steel inner Chamber



Durable metal reset switch



Longer cooling coilden  
More efficient condensing



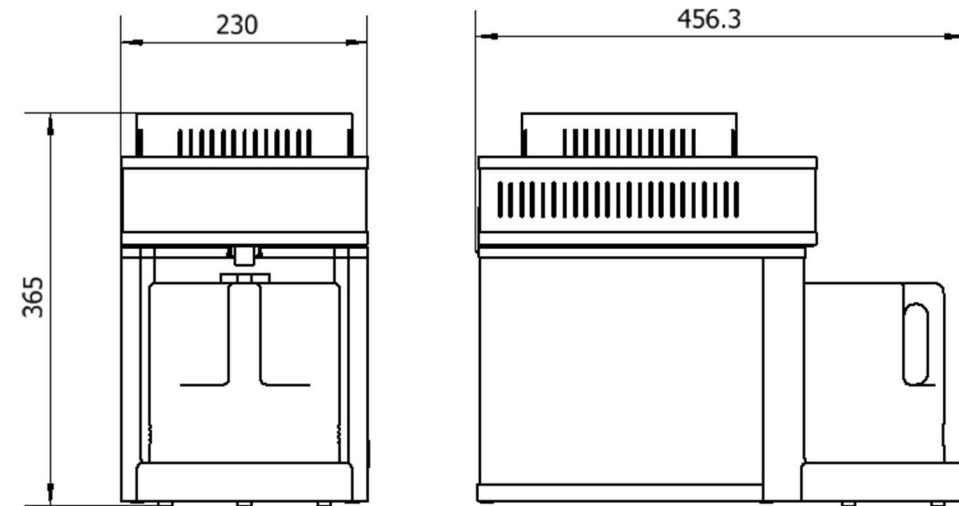
Patented filter & 4L  
Water collection tank



Comes with accessory pack



## Product Size



unit:mm

## Technical Data

|                       |   |
|-----------------------|---|
| Item No:              | Distilo   |
| Output Power:         | 750W  |
| Input Power:          | 220V,110V/50Hz,60Hz                               |
| Water flow:           | 1.5L/H  |
| Shell material:       | Plastic, metal                                    |
| Cavity size:          | 180*175mm   |
| Product size:         | 315*230*365mm                                     |
| Gross weight:         | 7.5KGS  |
| Net weight:           | 7KGS  |
| Carafe capacity:      | 4L  |
| Chamber capacity:     | 4L  |
| Fuse:                 | F4AL250VAC  |
| Water temperature:    | <40°C (The test environment temperature is 24 °C) |
| SCOPE of application: | Tap Water   |

## Conformity

|   |                                      |
|---|--------------------------------------|
| Low Voltage Directive                   | 2014/35/EU                           |
| Electromagnetic Compatibility Directive | 2014/30/EU                           |
| Machinery Safety Directive              | 2006/42/EC                           |
| EC Test : 1.03us/cm                     | SGS Test Report No.: NBF20-001823-02 |
| TDS Test: 2.0mg/L                       | SGS Test Report No.: NBF20-001823-06 |

## Two-color option



Fashionable Grey



JOIDENT Blue