



29L  
45L  
T SERIES

NINGBO ICAN MACHINES CO.,LTD

ADD / No 77 East Yunlin Road,  
Gulin Town, Ningbo, China

Email / sales@icanclave.com

Fax / +86 574-89011177

Tel / +86 574-89011155

Web / www.icanclave.com



艾康

Focus On Autoclave

PRODUCT

# Introduce



ICANCLAVE T229 and T245 are class B autoclaves in complete compliance with European Standard En13060, with more bigger chamber than ICANCLAVE D series sterilizers, provide the sterilization solution for bigger size instruments or more loads. ICANCLAVE T series autoclave are special popular for sterilizing the instruments kit of dental implants, as well as widely used in the fields of medical, laboratory and so on.

## ICANCLAVE T STERILIZERS

4 major feature



### Efficient

ICANCLAVE uses an intelligent systems that saves time and energy by providing a fast and complete sterilization cycle with full drying and a convenient operation.

### Safety

ICANCLAVE T series equipped with automatic electric door locking with multi protection system that utilizes mechanical and electronic safety mechanisms for pressure, also has temperature and electrical current protection. ICANCLAVE also uses a large number of high quality imported parts that have a proven records of reliability and ensures the users safety.

### Quietness

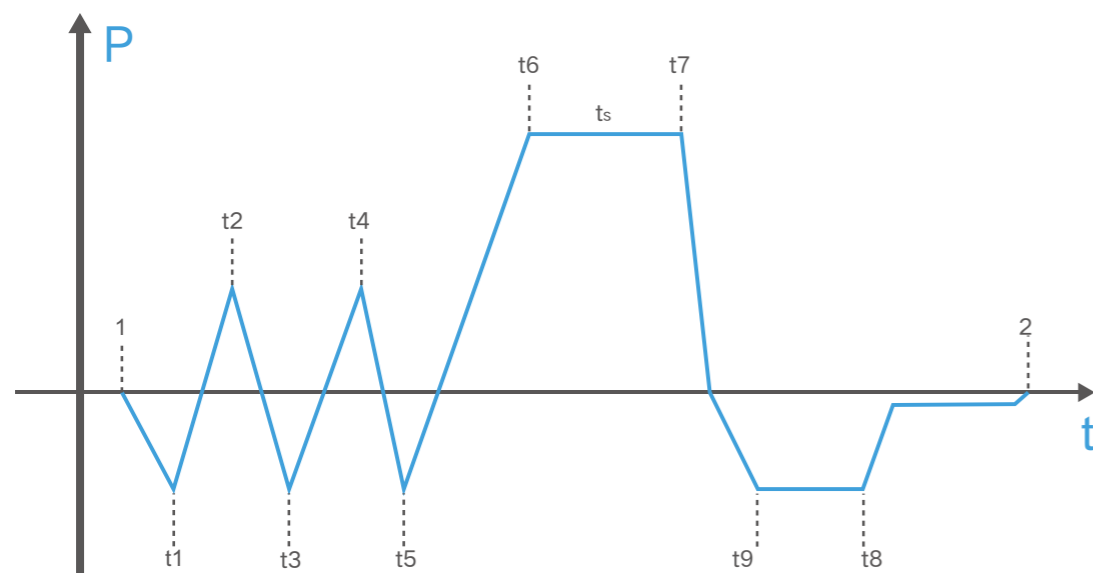
ICANCLAVE T series use the vacuum pump from Germany, with high efficient sterilization result and very quiet working.

### Carefulness

ICANCLAVE pay attention to the detail. We focus on design a perfect sterilizer with fashion design, fine workmanship, high efficient sterilization, easy operation and also simplicity of maintenance.

## Class B Sterilizer

Process Curve



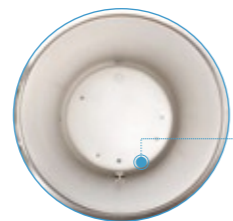
# Introduce

## SPECIFICATION

Full metal case, durable strength.

10

The built-in frame dust filter ensures constant performance levels, reduced maintenance costs and longer service intervals.



09

Medical grade stainless steel chamber, with high level surface treatment.



Distinctive instruments racks design, special for loading dental implants kits or other higher and higher instruments.

08

### Vacuum Pump

Equipped with a German vacuum pump that is quiet, durable and strong.



### Steam Generator

It use a powerful but energy saving steam generator which provide saturated steam for fast and effective sterilization.



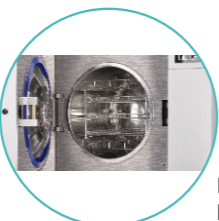
### Solenoid Valve

High quality solenoid valve imported from Italy, better performance, reliable and extends the required maintenance period.



07

It uses a safer hook-type door locking by electric door locking with multi process system, the cycle can not be started if the door was not closed completely and also the door can not be opened when the cycle be running.



01



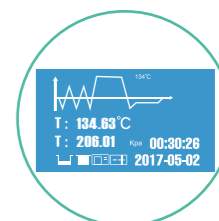
Electronic door be opened by pressing the button. Vacuum door closed system, the door be closed properly only by pushing it softly.

02



Stainless steel reserve tank with 8.5Liters capacity, be properly used for multiple sterilization cycles.

03



The LCD display uses a dynamic graphical appearance that can present the whole process of sterilization, including all stages of time, temperature, pressure and so on. There are 15 different kinds of languages to meet the needs of users in various countries. It also shows water shortage, locking door alarm, printer not connected alarm, and also error code to facilitate trouble shooting.

04



Optional internal printer, sterilization report can be automatically printed when each cycle end.

The device is equipped with a USB 2.0 interface, the data will be recorded automatically by a USB driver after cycle finished. Furthermore, sterilization reports for the last 20 cycles will be recorded and the user can output them at any time.

05

Pulling type drain connection, user can start and stop water drainage task once pulling or pushing it lightly. Operation is incredibly simple.

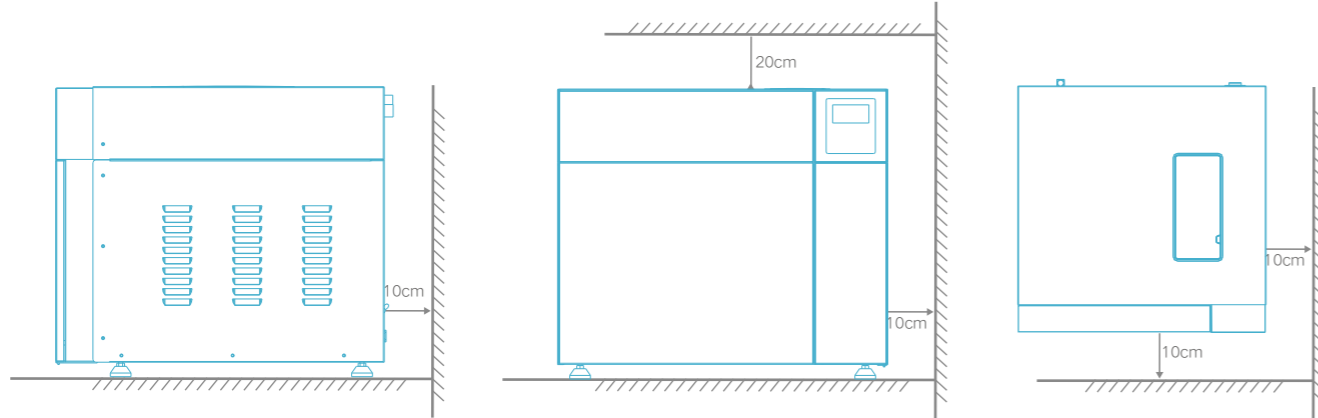
06



Imported bacteria filter, increases filtration efficiency and extend maintenance period.



## Installation Dimensions

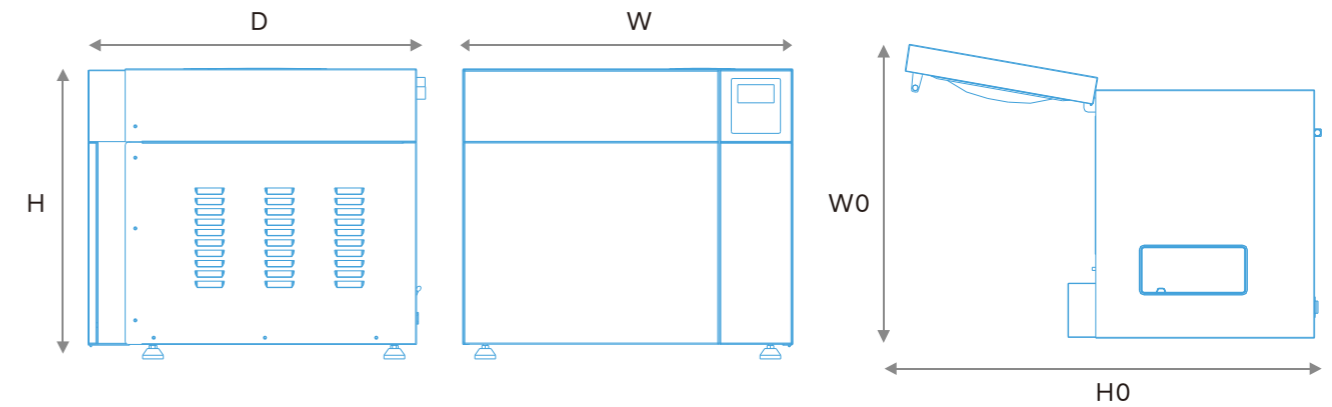


## Technical Parameters

Order Code	Model Number	Chamber Dimensions	Type	Power	Weight
T229	STE-29-T	319x417	Class B	2300W(220V)	95KG
T245	STE-45-T	319x617	Class B	2300W(220V)	120KG

## Default Program

Program	Temperature	Pressure	Holding Time	Total Time	T229 / T245
Solid 134°C	134°C	210Kpa	4min	25-35min	/ 35-45min
Wrapped 134°C	134°C	210Kpa	8min	47-60min	/ 75-95min
Wrapped 121°C	121°C	110Kpa	30min	50-65min	/ 95-115min
Prion 134°C	134°C	210Kpa	18min	57-70min	/ 85-105min
Liquid (Optional)	121°C	110Kpa	30min	50-70min	/ 60-80min
Drying (Optional)	/	/	/	1-20 min	/ 1-20min
B&D Test	134°C	210Kpa	3.5min	35-40min	/ 55-65min
HELIX Test	134°C	210Kpa	3.5min	35-40min	/ 55-65min
Vacuum Test	/	/	/	20-25min	/ 28-32min



## Overall Dimensions

Order Code	Width(W)	Height(H)	Depth(D)	Open Width(W0)	Open Depth(D0)
D229	640mm	560mm	640mm	760mm	1065mm
D245	640mm	560mm	840mm	760mm	1265mm

## Instruments Rack

Special design racks for dental implant kits or other more bigger and higher instruments.

Order Code	Material	Width(W1)	Depth(D1)	Width(W2)	Depth(D2)	Height(H)
D229	Stainless Steel	312mm	311.5mm	222mm	311.5mm	113.5mm
D245	Stainless Steel	312mm	511.5mm	222mm	511.5mm	113.5mm

